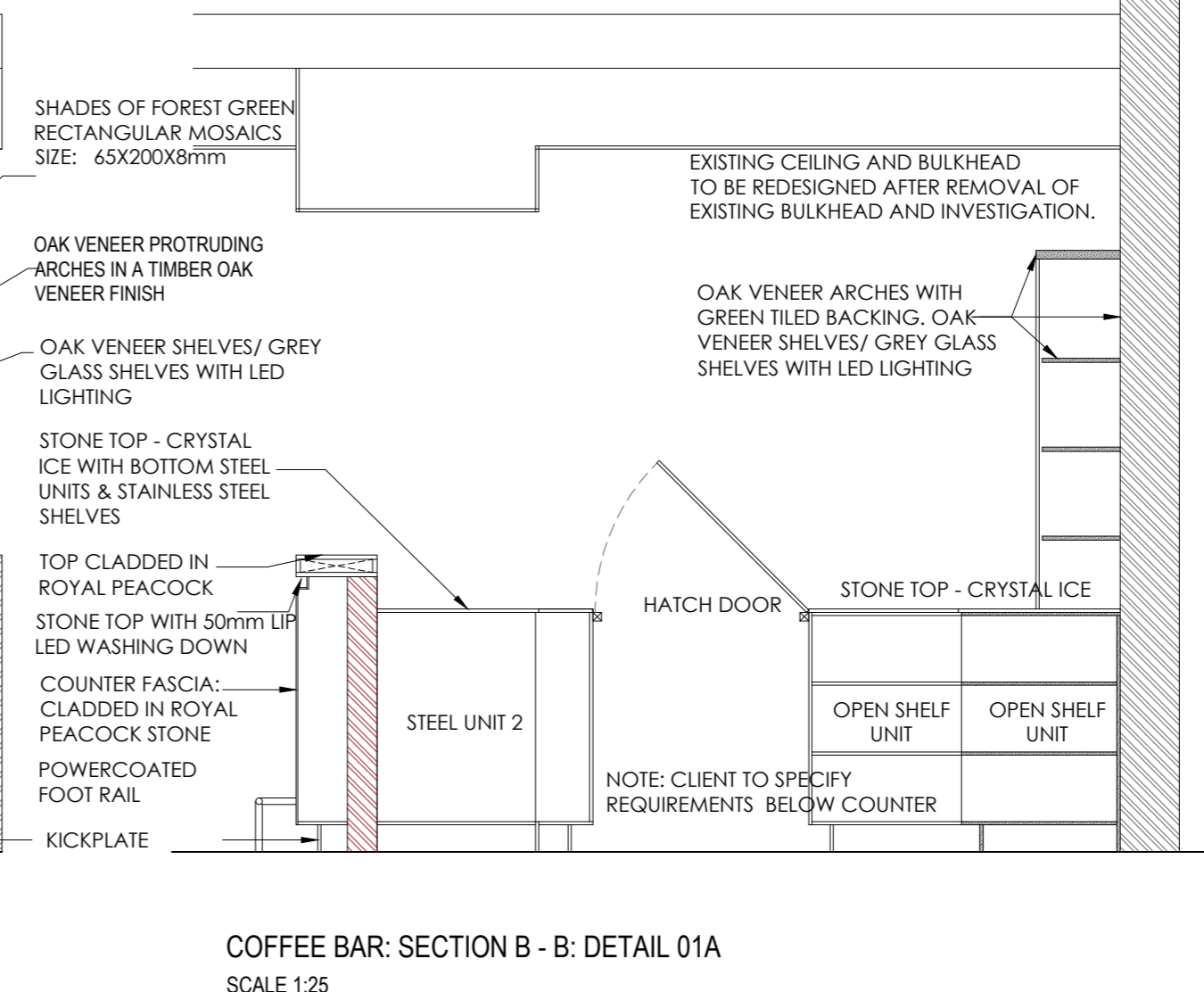
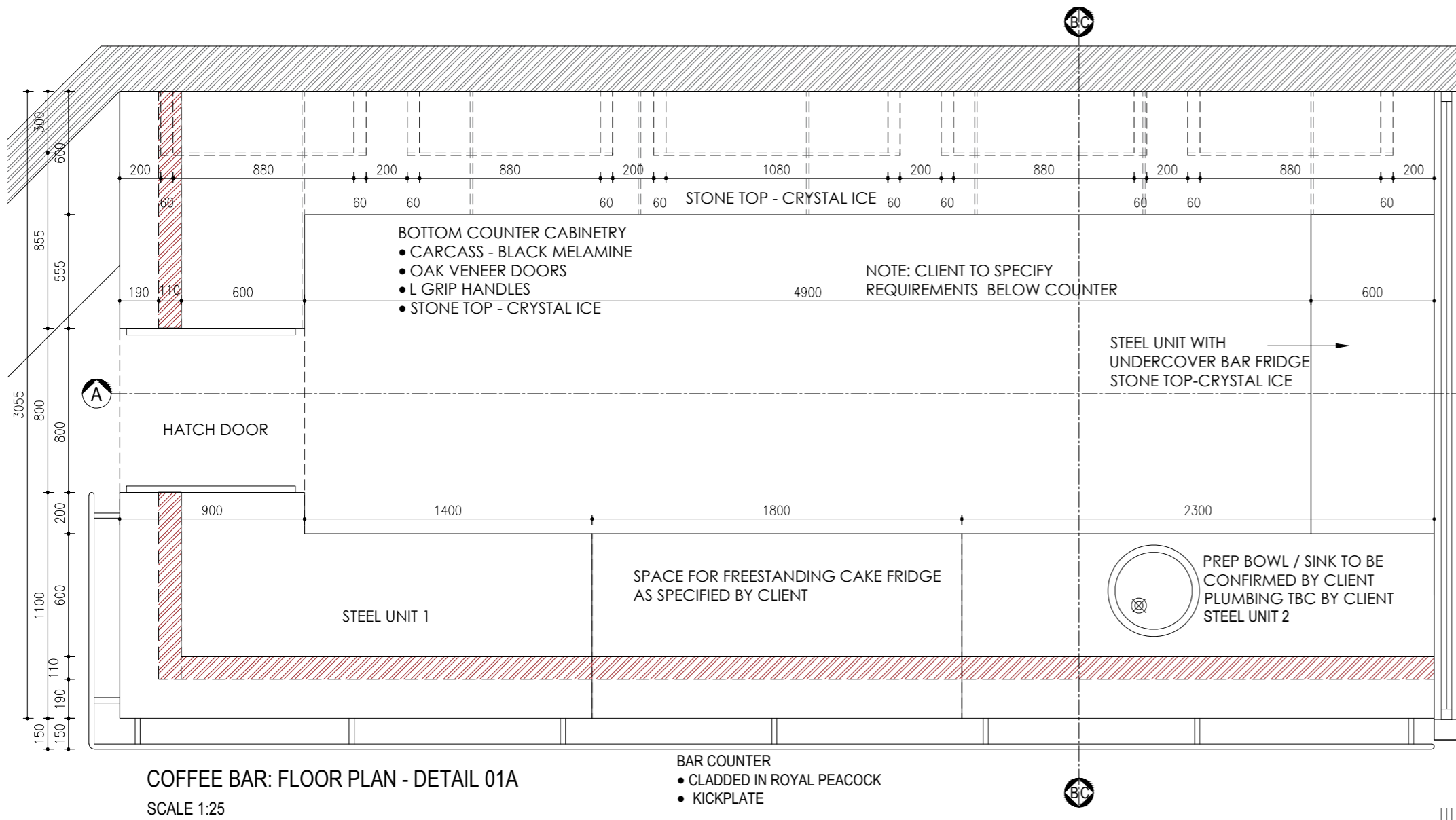


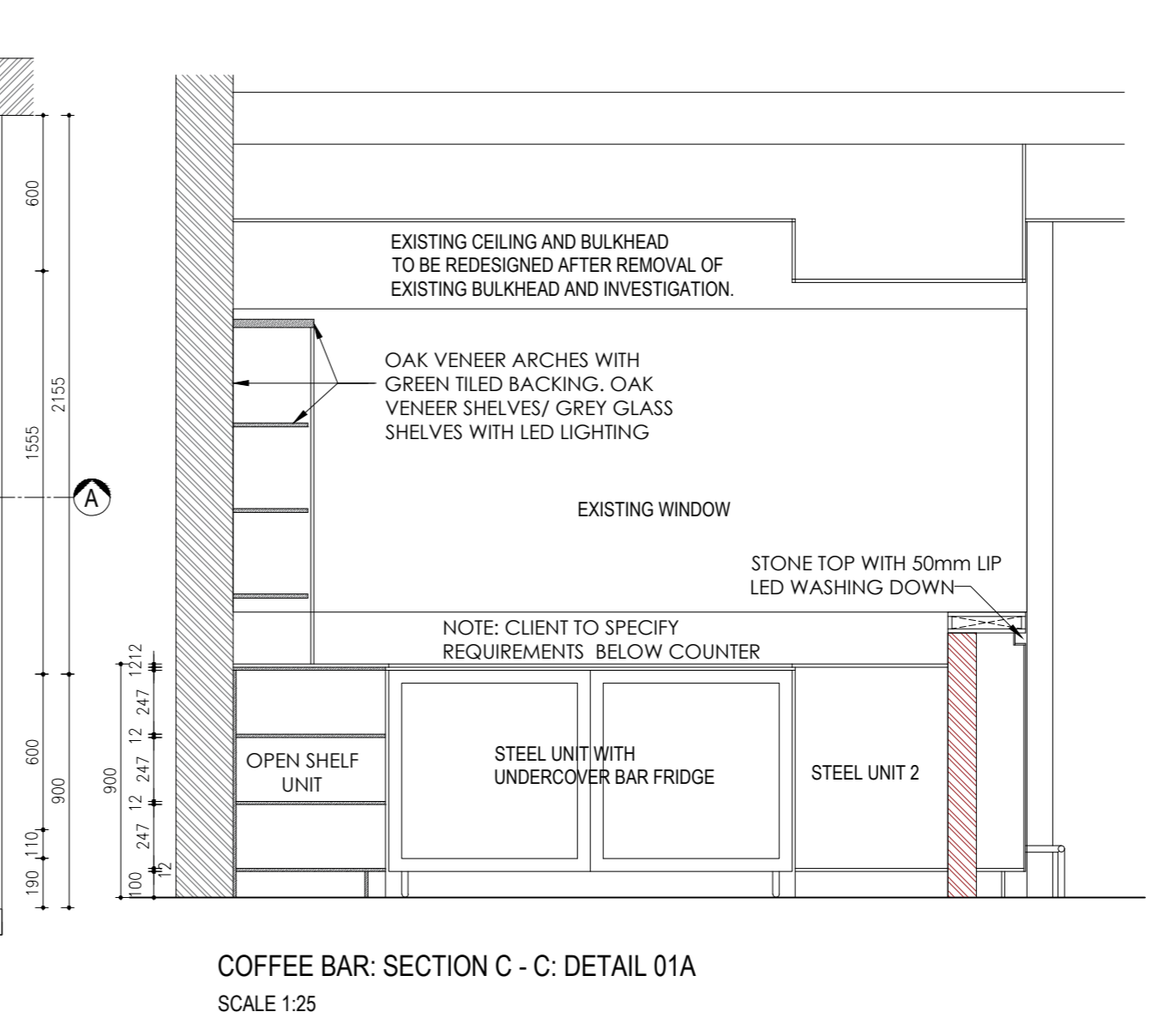
COFFEE BAR: SECTIONAL ELEVATION A - A- DETAIL 01A
SCALE 1:25



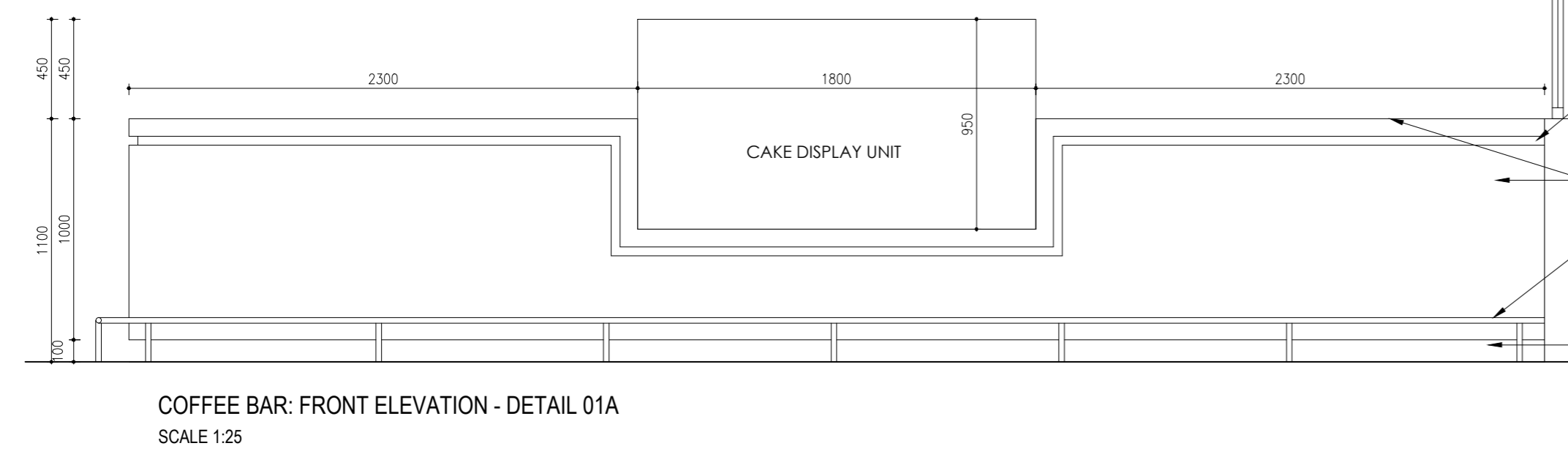
COFFEE BAR: SECTION B - B: DETAIL 01A
SCALE 1:25



COFFEE BAR: FLOOR PLAN - DETAIL 01A
SCALE 1:25



COFFEE BAR: SECTION C - C: DETAIL 01A
SCALE 1:25



COFFEE BAR: FRONT ELEVATION - DETAIL 01A
SCALE 1:25

GENERAL NOTES:

Notes for furniture details

ALL DETAILS TO BE CONFIRMED AND APPROVED BY CLIENT

Finish specifications: Confirm the finishes for each furniture piece, ensuring they align with the overall design intent.

Dimension and sizes: All to be checked and confirmed on site for accurate measurements after the removal of existing bar.

Design style consistency: Ensure that the design styles of all furniture pieces are cohesive and reflect the project's overall aesthetic.

Colour coordination: Verify that the colours of finishes and fabrics match the approved requirements to maintain a unified look throughout the space.

Maintenance guidelines: Provide care and maintenance instructions to ensure the longevity and upkeep of the furniture.

Installation requirements: Include specific installation guidelines to ensure proper assembly and placement of furniture.

Compliance with standards: Ensure that all furniture adheres to relevant industry standards and regulations, including safety and accessibility requirements.

Client approval of samples: Confirm that all furniture samples must receive client approval prior to final orders being placed.

Exclusions: Note that all catering and bar equipment are excluded from the scope of this project.

DATE:	REFERENCE:	DESCRIPTION:

PROJECT TITLE:
STAGES - THE THEATRE RESTAURANT

DRAWING TITLE:
GROUND FLOOR: COFFEE BAR DETAIL

DRAWING NO:
STAGES-FP-DET-007

REV:
0

DATE:
01 October 2024

SCALE:
1:25 A2

DRAWN BY:
Cindy L Jasmin

ISSUED FOR TENDER

OWNERS NAME & SIGNATURE:

DOLCE VITA
DESIGNS BY BIANCA
INTERIOR ARCHITECTURE | DESIGN | DECORATING

APD
ARCHITECTURE

BIANCA SUTTNER
REGUEIRAS
PHONE: +27 82 308 1653
EMAIL: BIANCA@DOLCEVITA.COM
WEB: dolcevita.com
Postnet Suite 438 Private bag x1
Melrose Arch 2076 South Africa

TEL: 083 793 0377 | EMAIL:
ARCHITECTURE.APD@GMAIL.COM
REG NO: CK2009106268/23
MEMBERS: CINDY JASMIN |
SACAP REG: PR ARCT - T0732