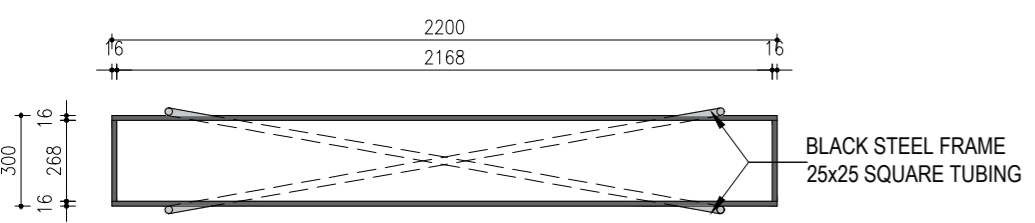
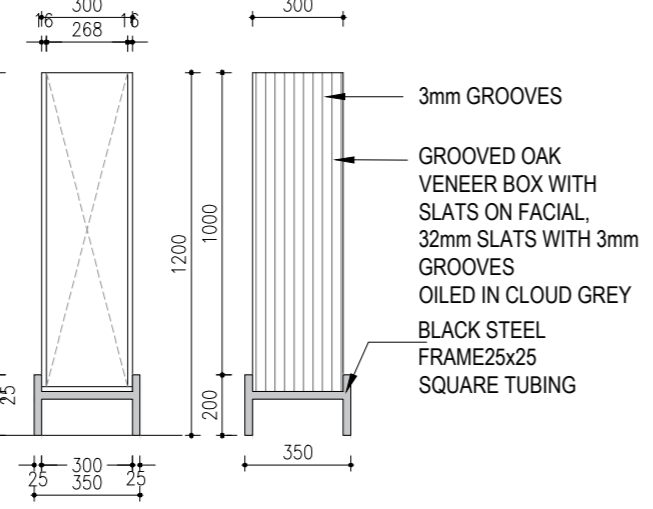


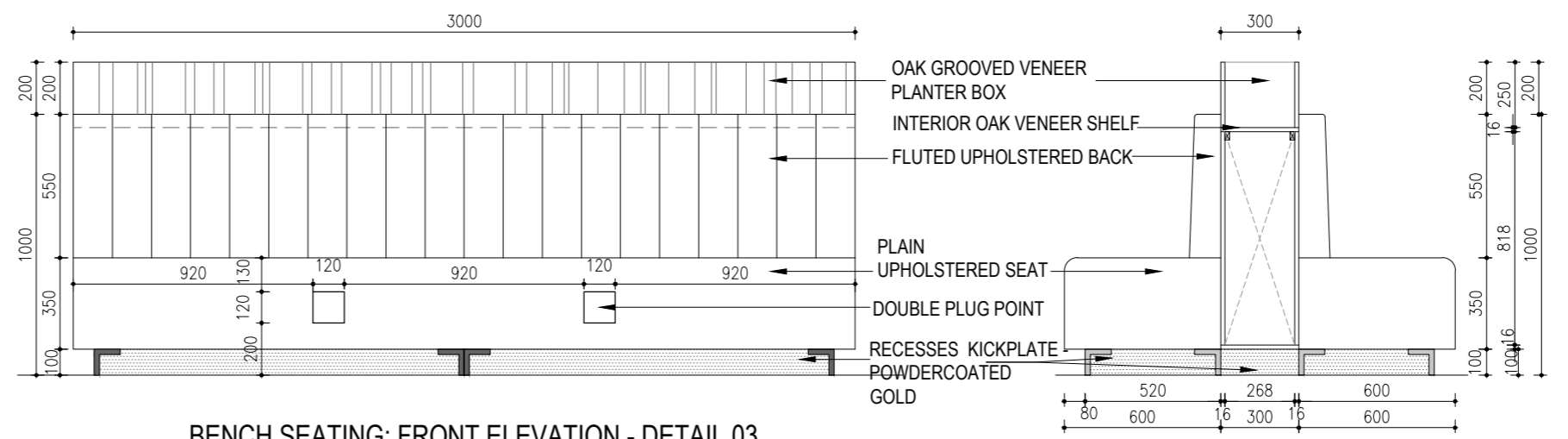
FRONT VIEW OF PLANTER BOX 02 - DETAIL 2
SCALE 1:25



TOP VIEW OF PLANTER BOX 02 - DETAIL 2
SCALE 1:25

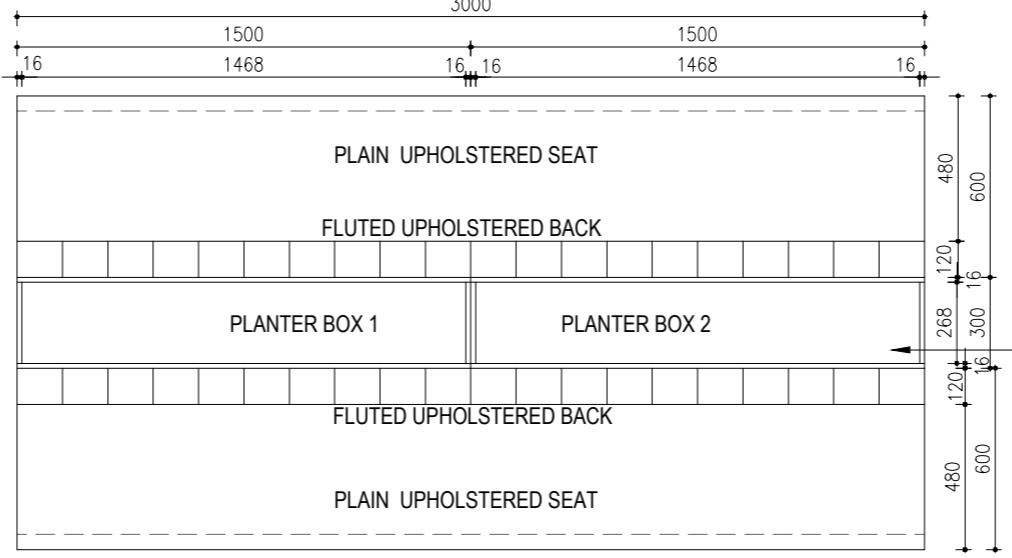


SECTION AND SIDE VIEW OF PLANTER BOX - DETAIL 2
SCALE 1:25



BENCH SEATING: FRONT ELEVATION - DETAIL 03
SCALE 1:25

SIDE VIEW - DETAIL 03
SCALE 1:25



BENCH SEATING: TOP VIEW - DETAIL 03
SCALE 1:25

GENERAL NOTES:

NOTE: ALL FURNITURE MEASUREMENTS TO BE CONFIRMED PRIOR TO MANUFACTURING.

Design specifications: Review and adhere to the detailed design specifications provided for each bespoke furniture piece, ensuring all design elements are accurately represented.

Customizations requirements: Identify any customizations needs, including dimensions, shapes, and configurations that differ from standard pieces.

Construction techniques: Note any specific construction techniques or methods required to achieve the designer's vision, including joinery and assembly details.

Material considerations: While materials have been specified, confirm that all chosen materials meet the quality and performance standards expected for bespoke items.

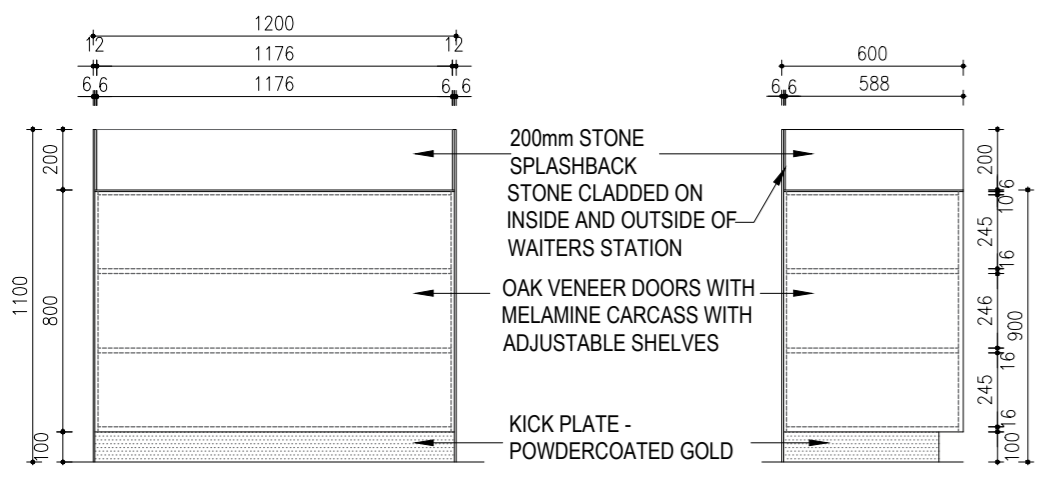
Finish treatments: Ensure that finish treatments (e.g., stains, paints, varnishes) are in line with the designer's intent and specified requirements.

Lead times: Factor in lead times for custom manufacturing and ensure they align with the overall project schedule.

Client review: Establish a process for client review and approval of bespoke designs before fabrication begins.

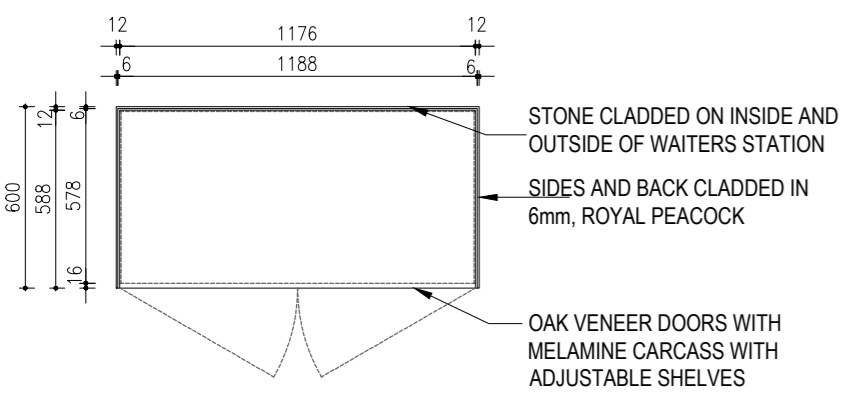
Mock-ups and prototypes: If applicable, discuss the potential need for mock-ups or prototypes to confirm design intent and functionality before full production.

Installation Considerations: Plan for any specific installation requirements for bespoke pieces to ensure proper fitting and stability in the designated space.

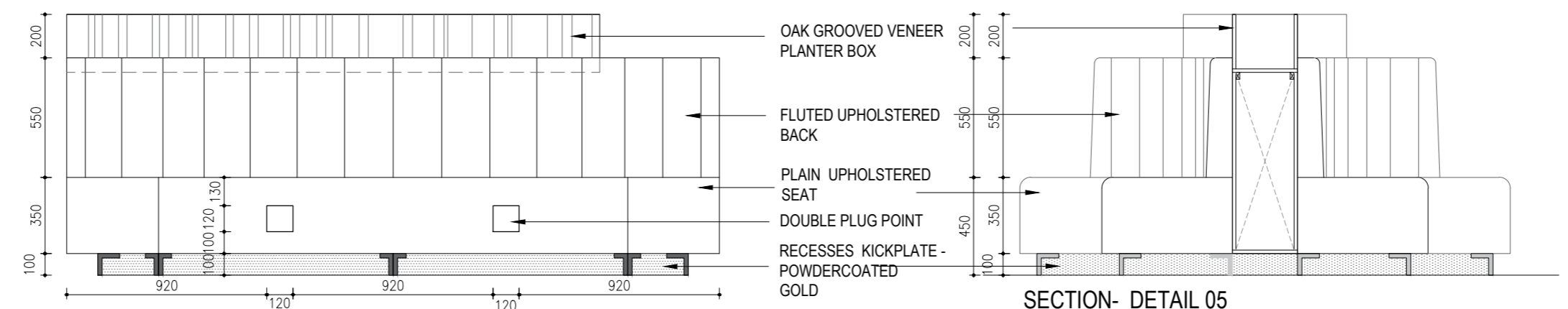


FRONT VIEW OF WAITER STATION
SCALE 1:25

SIDE VIEW OF WAITER STATION
SCALE 1:25

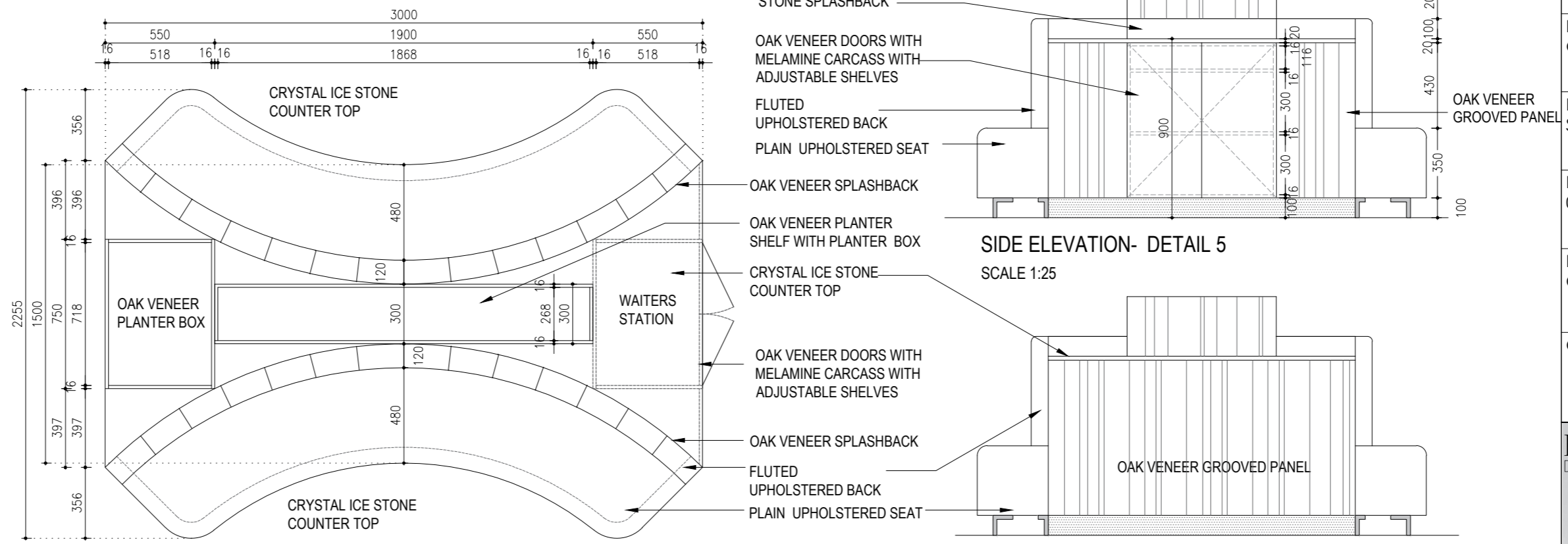


TOP VIEW OF WAITER STATION DETAIL 04
SCALE 1:25



FRONT VIEW OF CURVED BENCH | PLANTER | WAITER STATION DETAIL 05
SCALE 1:25

SECTION- DETAIL 05
SCALE 1:25



TOP VIEW OF CURVED BENCH | PLANTER | WAITER STATION DETAIL 05

SIDE ELEVATION- DETAIL 5
SCALE 1:25

SIDE ELEVATION- DETAIL 05
SCALE 1:25

DATE:	REFERENCE:	DESCRIPTION:

PROJECT TITLE:
STAGES - THE THEATRE RESTAURANT

DRAWING TITLE:
GROUND FLOOR: DETAILS 02 | DETAIL 03 | DETAIL 04 | DETAIL 05

DRAWING NO:
STAGES-FP-DET-011

REV:
0

DATE:
01 October 2024

SCALE:
1.25 A2

DRAWN BY:
Cindy L Jasmin

ISSUED FOR TENDER

OWNERS NAME & SIGNATURE:

DOLCE VITA
DESIGNS BY BIANCA
INTERIOR ARCHITECTURE | DESIGN | DECORATING

BIANCA SUTTNER
REGUEIRAS

PHONE: +27 82 308 1653
EMAIL: BIANCA@DOLCEVITA.COM
WEB: dolcevita.com
Postnet Suite 438 Private bag xt
Melrose Arch 2076 South Africa

APD
ARCHITECTURE

TEL: 083 793 0377 | EMAIL:
ARCHITECTURE.APD@GMAIL.COM
REG NO: CK20091106268/23
MEMBERS: CINDY JASMIN |
SACAP REG: PR ARCT - T0732